

HVJ

铝电解电容器-贴片型
Aluminum electrolytic capacitor- SMD type

特点 Features

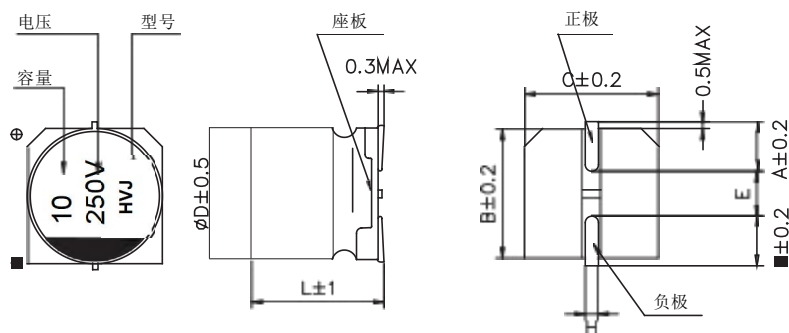
- 适用于再流焊。Reflow soldering is available.
- 适用于高密度表面组装。Vailable for high density surface mountin .
- RoHS指令已对应完毕。Adapted to the RoHS directive.



主要技术性能 Specifications

项目 Items	特性 Performance Characteristics		
工作温度范围 Operating Temperature Range	-40~+105°C		
额定电压范围 Rated Voltage Range	160~450V		
标称容量范围 Nominal Capacitance Range	1~47μF		
标称容量允许偏差 Capacitance Tolerance	±20%(20°C, 120Hz)		
漏电流 Leakage Current	160~450V $I = 0.04 CRVR + 100 (\mu A) \text{ max.}(1 \text{ min})$		
损耗角正切(tgδ) Dissipation Factor (Max) 20°C, 120Hz	$U_r (V)$	160~250	350~450
	tgδ	0.15	0.20
耐久性 Load Life	+105°C施加额定电压5000小时后, 电容器应满足以下要求: After 6000 hours' application of rated voltage at 105°C, the capacitor shall meet the following requirement:		
	容量变化率 Capacitance Change	±20%初始值以内 Within ±20% of the initial value	
	损耗角正切 Dissipation Factor	≤ 200%初始规定值 Not more than 200% of the initial specified value	
高温贮存 Shelf Life	+105°C贮存1000小时后, 电容器应满足以上耐久性要求 After storage for 1000 hours at +105°C, the capacitors shall meet the requirement of load life above		
	$U_r (V)$	160~250	350~400
	Z(-25°C)/Z(+20°C)	3	6
低温特性 Low Temperature Stability 阻抗比 Impedance Ratio (120Hz)	Z(-40°C)/Z(+20°C)	6	10
	在250°C的条件下, 电容器在热板上保持30秒, 然后从热板上取出电容器, 让其在室温下恢复, 电容器应满足以下要求: The capacitors shall be kept on the hot plate maintained at 250°C for 30 seconds. After removing from the hot plate and restored at room temperature, they meet the following requirement.		
	容量变化率 Capacitance Change	±10%初始值以内 Within ±10% of the initial value	
耐焊接热 Resistance to Soldering Heat	损耗角正切 Dissipation Factor	≤初始规定值 Not more than the initial specified value	
	漏电流 Leakage Current	≤ 初始规定值 Not more than the initial specified value	

外形图及尺寸表 Case Size Table



单位 Unit: mm

	$\phi 8 \times 10.5$	$\phi 8 \times 13$	$\phi 10 \times 10.5$	$\phi 10 \times 13$	$\phi 13 \times 13.5$
A	2.9	2.9	3.2	3.2	4.7
B	8.3	8.3	10.3	10.3	13
C	8.3	8.3	10.3	10.3	13
E	3.1	3.1	4.5	4.5	4.5
L	10.5	13	10.5	13	13.5
H	0.8~1.1				

标称电容量、额定电压、额定纹波电流与尺寸对应表 Nominal Capacitance, Rated Voltage, Rated Ripple Current and Case Size Table

V μF	160		200		250		350		400		450	
	D×L mm	I~mA	D×L mm	I~mA	D×L mm	I~mA	D×L mm	I~mA	D×L mm	I~mA	D×L mm	I~mA
1									8 × 10.5	42		
2.2							8 × 10.5	44	8 × 13	50		
3.3			8 × 10.5	55	8 × 10.5	34	8 × 13	43	10 × 10.5	58	10 × 13	42
4.7	8 × 10.5	68	8 × 10.5	53	8 × 10.5	34	10 × 10.5	60	10 × 10.5	56	10 × 13	35
5.6	8 × 10.5	67	8 × 10.5	51	8 × 10.5	36	10 × 10.5	58	10 × 13	72	13 × 13.5	50
6.8	8 × 10.5	65	8 × 10.5	49	8 × 13	38	10 × 10.5	56	10 × 13	74	13 × 13.5	60
8.2	8 × 10.5	64	8 × 13	43	10 × 10.5	50	10 × 13	70	10 × 13	78		
10	8 × 13	59	10 × 10.5	53	10 × 13	72	10 × 13	71	13 × 13.5	80		
15	10 × 13	79	10 × 13	63	10 × 13	75	13 × 13.5	75	13 × 13.5	85		
22	10 × 13	72	13 × 13.5	80	13 × 13.5	80						
33	13 × 13.5	100										
47	13 × 13.5	95										

额定纹波电流频率修正系数 Frequency correction factor for ripple current

Frequency 频率	50Hz	120Hz	300Hz	1KHz	≥ 10KHz
Coefficient 系数	0.80	1.00	1.25	1.40	1.60